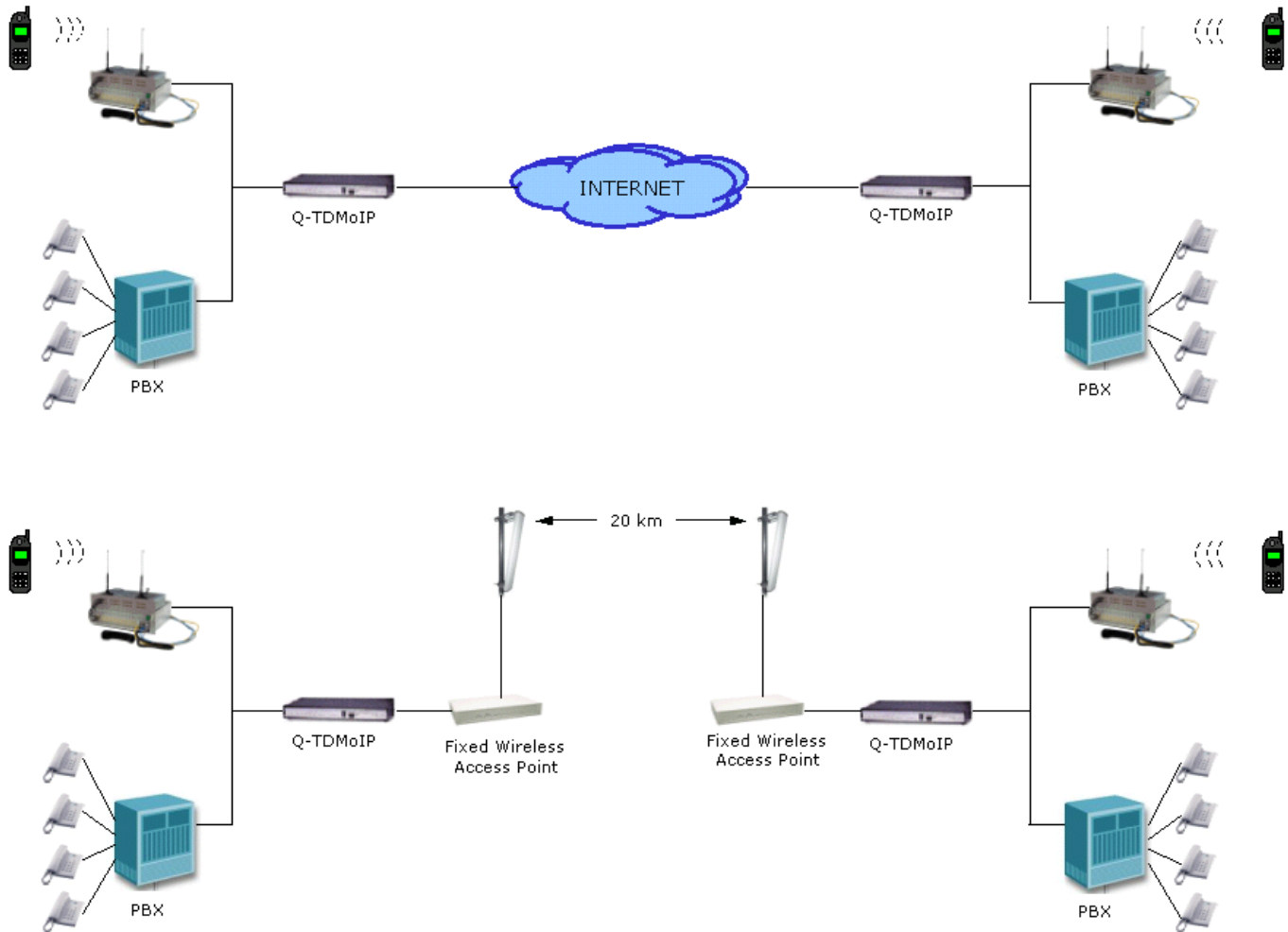


Q-TDMoIP™ Q-G-E1-T1

TDM over IP Gateway

The QG-E1-T1 is a carrier-grade FE1/FT1 Transport System over broadband Internet IP Network. It provides a point-to-point connection for a FE1 or FT1 circuit by converting unframed bit stream data into packets and transmitting over the IP packet network. A remote paired QC-E1-T1 receives the packets and converts the payload back into the FE1/FT1 bit stream. Thus, a pair of QG-E1-T1 emulates a leased line FE1/FT1 connection at the data rate of Nx64 Kbps over the IP network. QC-E1-T1 uses a dynamic jitter buffer and accurate clock recovery to deliver high performance for FE1/FT1 circuit emulation over the varying traffic of the IP packet network.



Features and Benefits

- Support FE1/FT1 TDMoIP Nx64 Kbps
- PWE3 IETF WG Compliance
- IETF RFC 1889 RTP header format
- 6 LED indicators for status monitoring
- Console Port for Network Management configurations
- DeskTop and 19"rack (option)
- 110/220V AC and -48V DC

© Copyright 2007, QiiQ Communications Inc. All Rights Reserved. Features and specifications subject to change without notice.